

SPECIFICATIONS

Material: HEXSEALS: Silicone rubber conforms to A-A-59588 Class III, GR 50 (unless otherwise specified)

Mounting Nut: HEXSEALS: Brass, nickel-plated

Temperature Range: HEXSEALS: -94°F to +400°F

Pressure Range: Exceeds 15 psi internal and 1500 psi external.
(N5032B: 10 psi)

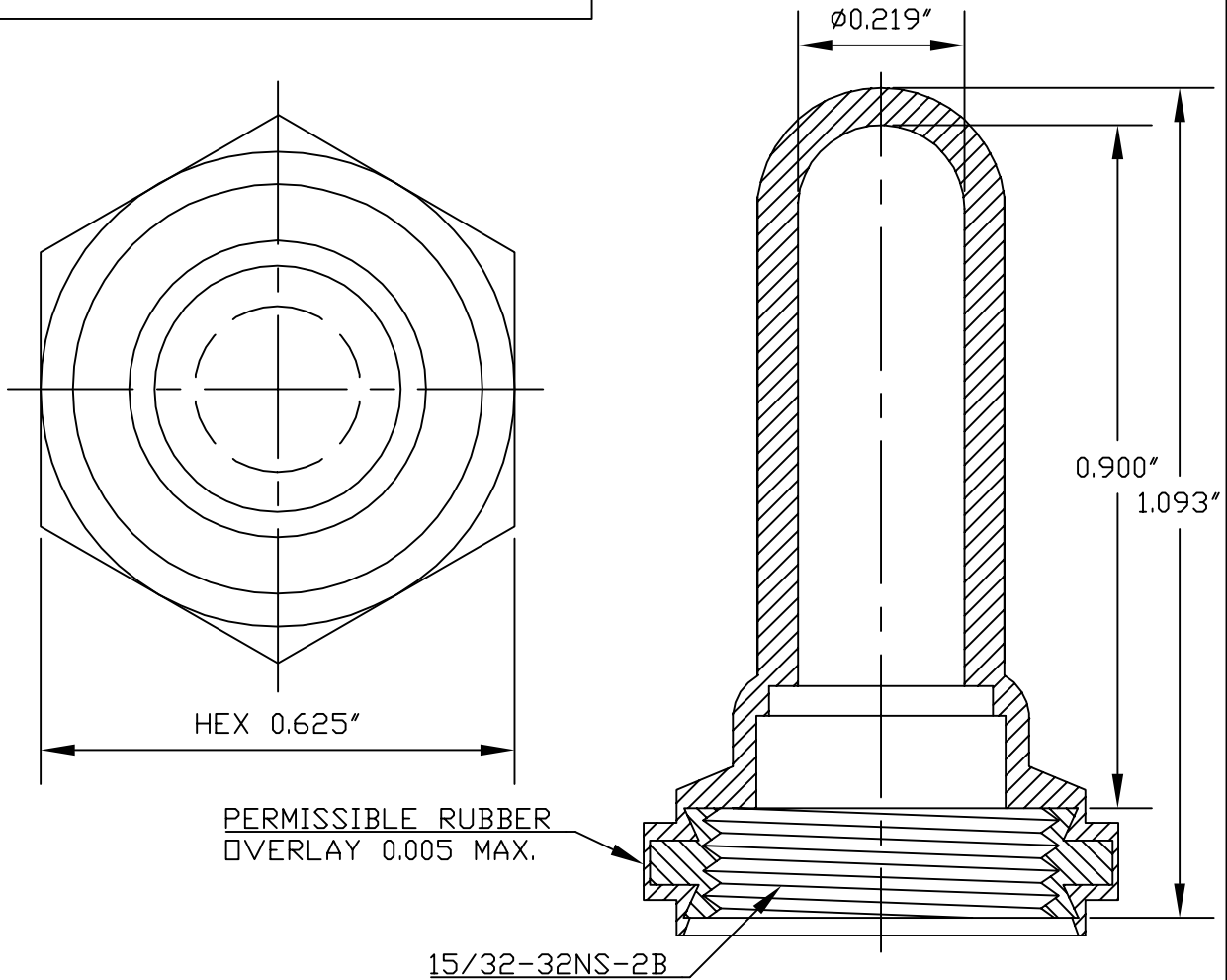
Operational Life: 50,000 actuations (minimum).

Shelf Life: Excess of 25 years.

Resistant to: Salt spray, sunlight, ozone, weather, fungus, and most acids and lubricating oils

Agency Recognition: E-SEALS and HEXSEALS are UL-listed to UL Std. 50 types 1-13, and meet CSA standards.

Installation: If a reducing adaptor is required - see page 14 of HEXSEAL catalog HEX200 for part numbers and drawing.



D	REDRAWN and MAT'L CHANGED	05.27.09
C	CAD COMPUTER GENERATED	9-23-02
B	REDRAWN	9-12-74
REV.	DESCRIPTION	DATE
MAXIMUM AND MINIMUM MEASUREMENTS ARE STATED DIRECTLY ON EACH DIMENSION.		
MAT'L: SILICONE RUBBER PER A-A-59588 CLIII GR50	TITLE: BOOT, TOGGLE SWITCH #(1131/26)	ENG. M.M. 12-7-57
FINISH: GRAY	APM-HEXSEAL CORPORATION	DWN. J.PALUMBO 12-7-57
	SCALE 4 : 1	CHKD.
	DWG. NO. (1131/26)	
		HEXSEAL®

THIS DRAWING COVERS PROPRIETARY ITEM AND IS THE PROPERTY OF THE APM-HEXSEAL CORPORATION.
THIS DRAWING IS NOT TO BE COPIED OR USED WITHOUT THE WRITTEN APPROVAL OF AN OFFICER OF THE APM-HEXSEAL CORPORATION.